



## Classic

The sectional roller insulated door Thermicroll® Classic is suitable for any type of industrial vain which requires an easy, fast and compact closing.

The product is characterized by the presence of oversized mechanical parts that contribute to the durability of the door and ensure that it is not necessary extraordinary maintenance interventions.

A robust tube with direct transmission wraps the insulated mantle; that requires no balance spring system, so decreases the routine maintenance and related costs.

The section of the curved profile allows an upper winding with reduced size and a silent movement of the mantle.

It is possible to insert windows in transparent polycarbonate able to give plenty of light to your interior spaces.

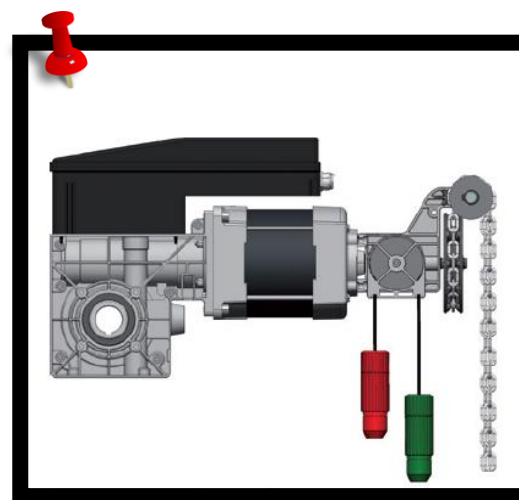
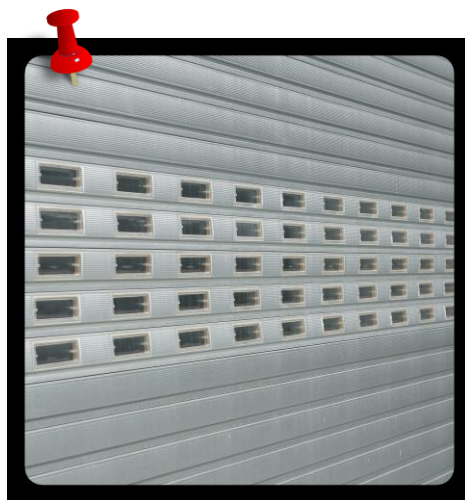
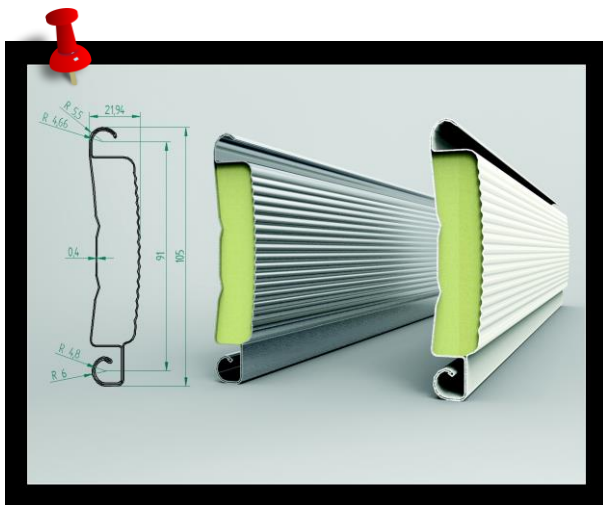
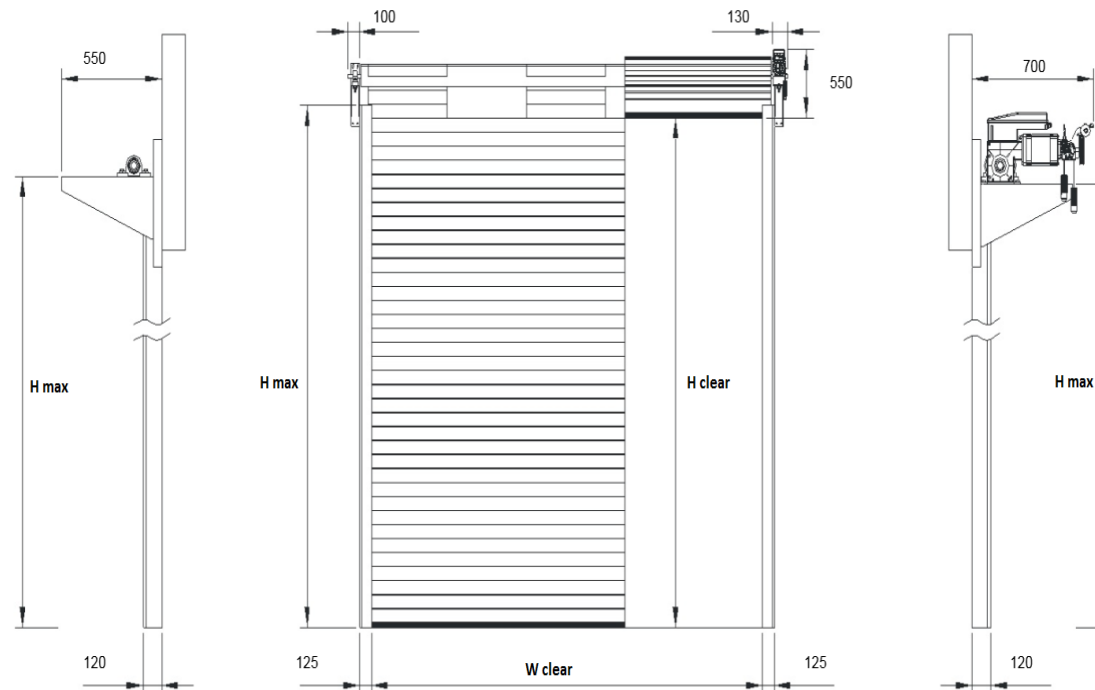
The creations of the insulated doors Thermicroll® are certified as exclusive and original products, unique for strength, practicality, functionality and quality.

## Technical Data Sheet ThermicRoll® Classic

Overall dimensions (W x H)	7000 x 5000 mm
Opening speed	~ 0.1 m/s
Closing speed	~ 0.1 m/s
Structure	Galvanized or painted steel ( <i>OPTIONAL</i> ) Brushed oxidized aluminium: thickness 22 mm
Mantle	Pre-painted steel: thickness 22 mm Powder painted ( <i>OPTIONAL</i> )
Control Panel	380 V
Power supply	400 V
Frequency	50 Hz
Limit switches	Mechanical
Safety side [EN 13241]	Anti-crushing sensor ( <i>OPTIONAL</i> )
Manual use/maintenance	Standard
Nameplates	Standard
Durability	200,000 opening/closing cycles
Warranty	12 months

### OPTIONALS

Wire rope anchors	Flashing lights
Magnetic detector	Numeric keypad
Key switch	Light Tower



**ROLLTORE SRL**  
 Viale Artigianale, 5  
 VEZZA D'ALBA (CN)  
 +39 0173 658242  
[www.thermicroll.com](http://www.thermicroll.com)  
[info@thermicroll.com](mailto:info@thermicroll.com)