



Spiral Door ISO 80

Thermicroll® Spiral Door ISO 80 is designed for refrigerated environments; in fact, it works perfectly in a temperature range of $-25^{\circ}\text{C} \pm 5^{\circ}\text{C}$. The thickness of the panels and their shape guarantee the best performance in terms of thermal and acoustic **insulation**.

The patented circular spiral winding and the lateral guides are made of high-density polyethylene with a movement system that provides the highest **speed** of opening and closing.

All the safeties are present in this door to guarantee the **security** performances.

This product is very **versatile** because the dimensions of the winding is very small and it is absent the footprint when the door is open. It also does not require anchoring to the ceiling, unlike traditional sectional doors.

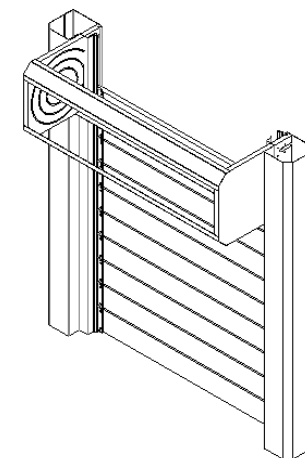
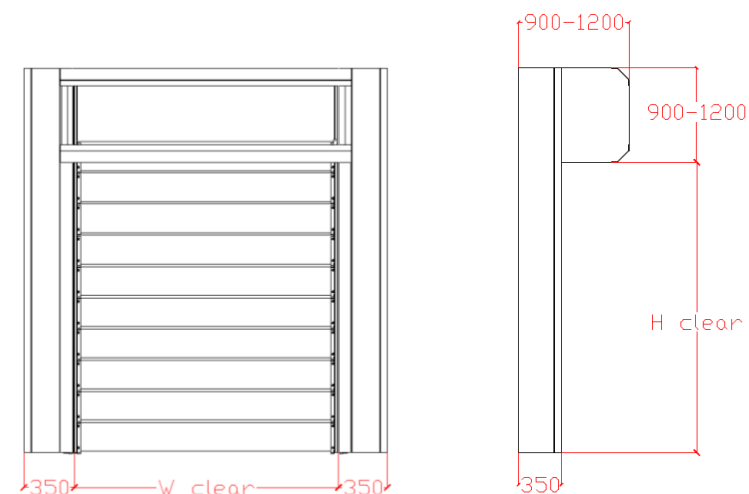
The simple construction allows bringing down costs, maintenance and installation time, but at the same time enhances the **quality** that is certified in compliance with existing laws.

The creations of the insulated doors Thermicroll® are **certified** as exclusive and original products, unique for strength, practicality, functionality and quality.



Technical Data Sheet ThermicRoll® Spiral Door ISO 80

Overall dimensions (W x H)	4000 x 4000 mm
Opening speed	~ 1.5 m/s (performance variable)
Closing speed	~ 0.5 m/s
K Thermic	U = 0.5 W/m ² K (performance variable)
Operating temperature	-25°C ÷ +5°C max ΔT optimal 30°C inside/outside
Structure	Galvanized or painted steel (optional) Brushed oxidized aluminium: thickness 80 mm
Mantle	Pre-painted steel: thickness 80 mm Powder painted (OPTIONAL)
Side leads	in galvanized steel
Spiral Wrap	Patented circular - in high-density polyethylene PE HD 500,000
Sliding	Patented - with high-density polyethylene leads PE HD 500,000
Control Panel	Inverter 380 V with automatic operating logic and management of all the safeties in low voltage. High capacity separate power supply 24 V
Power supply	400 V
Frequency	50/60 Hz
Limit switches	Encoder
Reducer	Asynchronous motorized - with electric brake 110 V designed for intensive use
Safety side [EN 13241]	Anti-crushing sensor
Incremental encoder	Managing limit switches and programmable delays managed by digital console (Diagnosis, number of cycles, door status)
Wiring	Waterproof ip 69 plug and play
Heating System	Engine, brake and columns: 60 W/m (OPTIONAL)
Photocell	Ip 69
Manual use/maintenance	Standard
Nameplates	Standard
Durability	1,000,000 opening/closing cycles (half-yearly maintenance)
Warranty	24 months



OPTIONALS

- Wire rope anchors
- Flashing lights
- Heating System
- Numeric keypad
- Magnetic detector
- Light Tower
- Key switch



ROLLTORE SRL

Viale Artigianale, 5
VEZZA D'ALBA (CN)
+39 0173 658242
www.thermicroll.com
info@thermicroll.com